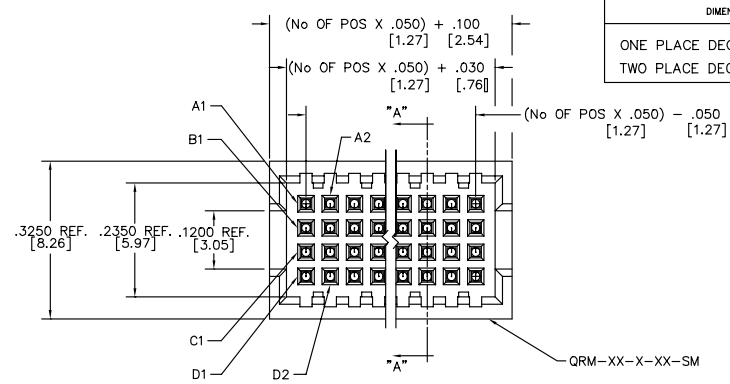


REV. Y

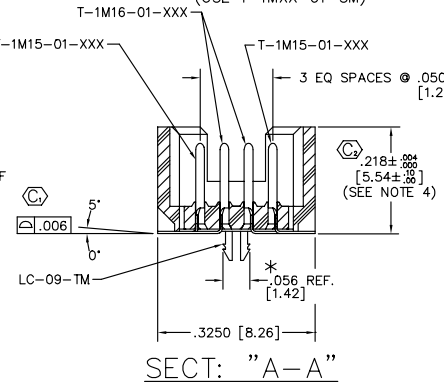
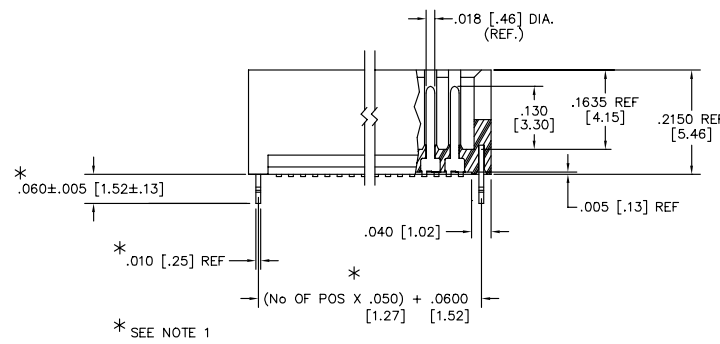
DIMENSIONS ARE IN INCHES		TOLERANCES ARE:	
ONE PLACE DECIMALS ± .1	THREE PLACE DECIMALS ± .005	ANGLES ± 5°	
TWO PLACE DECIMALS ± .01	FOUR PLACE DECIMALS ± .0020		

TITLE: SURFACE MOUNT  
 .050 X .050  
 4 ROW SHROUDED  
 TERMINAL STRIP

DWG NO: MOLC-1XX-XX-XXX-X-XX-X  
 SHEET 1 of 1



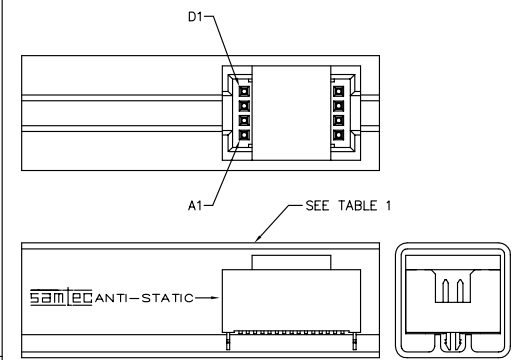
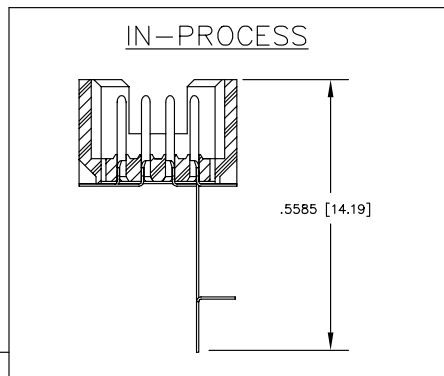
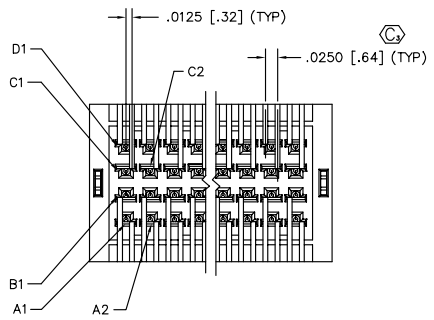
- MOLC-1XX-XX-XXX-X-XX-X
- No OF POSITIONS  
 -05 THRU -50
- LEAD STYLE  
 -02: SURFACE MOUNT
- OPTION  
 -P: PICK AND PLACE PAD (USE PPP-19)  
 -TR: TAPE & REEL
- OPTION  
 -LC: LOCKING CLIP (USE LC-09-TM)
- BODY SPECIFICATION  
 -Q: 4 ROW (USE QRM-XX-Q-01-SM)
- PLATING SPECIFICATIONS  
 -S: SELECTIVE GOLD WITH TIN ON THE TAIL (USE T-1MXX-01-S)  
 -H: HEAVY GOLD ON POSTS WITH FLASH GOLD ON TAIL (USE T-1MXX-01-H)  
 -STL: SELECTIVE GOLD WITH TIN/LEAD ON THE TAIL (USE T-1MXX-01-STL)  
 -SM: HEAVY GOLD SELECTIVE, MATTE TIN TAIL (USE T-1MXX-01-SM)



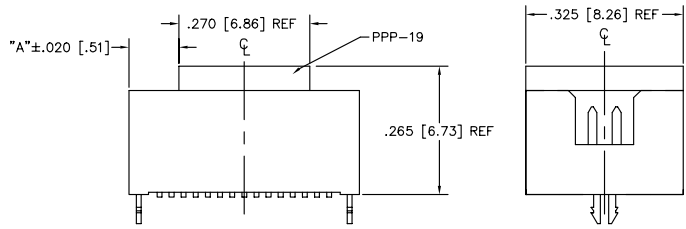
- NOTES:
1. DIMENSIONS PERTAIN TO -LC OPTION ONLY.
  2. INSULATOR MATERIAL: VECTRA E130
  3. TERMINAL MATERIAL: ".0045" BeCu 1/2 HARD 172, HEAT TREATED.
  4. DIMENSION TO BE MEASURED AT BEND OF THE LEAD, AND LEADS MUST REST ON PLASTIC RIBS.
  5. Ⓢ REPRESENTS CRITICAL DIMENSION FOR

TABLE 1

OPTION	TUBE	PLUG
BLANK, -LC	PT-1-24-04-38	TP-03
-P	PT-1-24-03-38	TP-03



"A" =  $\frac{(\text{NO. OF POS. X } .050 [1.27]) + .100 [2.54]}{2} - .135$



-P: PICK AND PLACE PAD

PACKAGE PARTS IN TUBE AS SHOWN

Do not scale from this print

**PROPRIETARY NOTE**  
 THIS DOCUMENT CONTAINS INFORMATION CONFIDENTIAL AND PROPRIETARY TO SAMTEC INC. AND SHALL NOT BE REPRODUCED OR TRANSMITTED TO OTHER DOCUMENTS OR DISCLOSED TO OTHERS OR USED FOR ANY PURPOSE OTHER THAN THAT FOR WHICH IT WAS OBTAINED WITHOUT THE EXPRESSED WRITTEN CONSENT OF SAMTEC INC.

MATERIAL:  
 INSULATOR:  
 LIQUID CRYSTAL POLYMER  
 CONTACT:  
 PHOSPHOR BRONZE

EXISPROD/ASSEMBLY/050  
 MOLC-SMT

**samtec**

520 PARK EAST BLVD. NEW ALBANY, INDIANA 47150  
 PHONE (812) 944-6733 P.O. BOX 1147  
 CODE 55322

MADE BY: GREG REIDINGER 3-29-93  
 CHECKED BY: McCARTIN

ENG APPROVAL  
 DEM

MOLC-1XX-XX-XXX-X-XX-X  
 SHEET 1 of 1